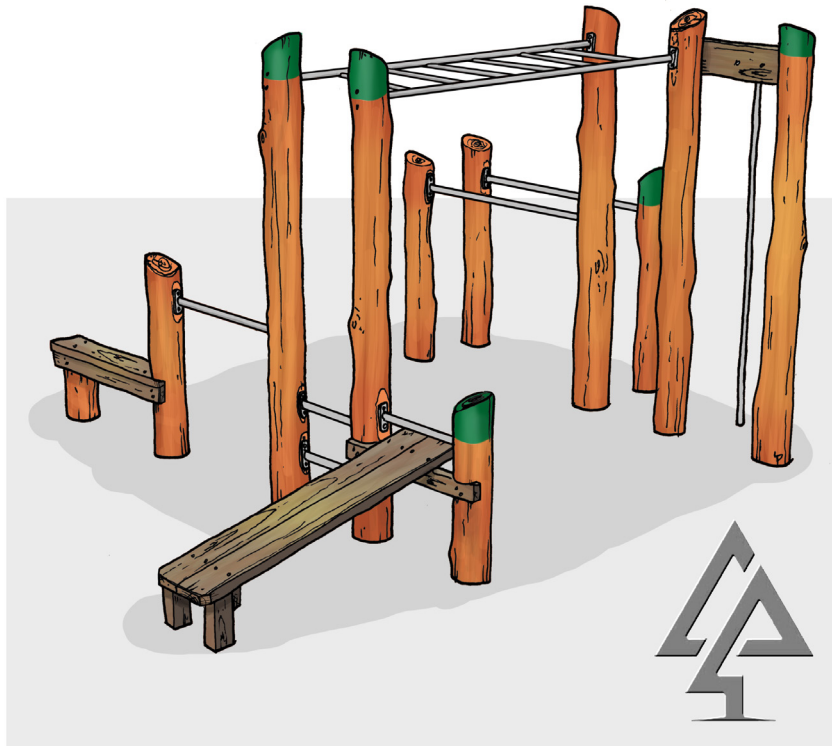




PRODUCT INFORMATION SHEET



FITNESS COMBO 'A'

Product code: 850-FCA

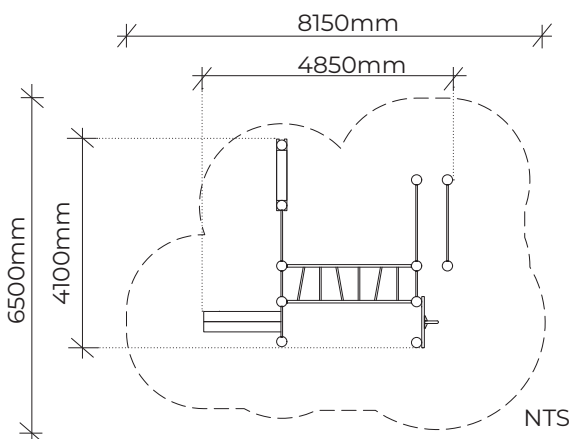
Category: Street Furniture & Fitness (800-Series)

Dimensions: W 4100mm x L 4850mm x H 2600mm

Fall zone: W 6500mm x L 8150mm

FHoF: 2400mm

Features: Horizontal monkey bars, incline sit-up bench, pull-over & pull-up bar, parallel bars, vertical pole.



Our timber products are primarily crafted from West Australian Jarrah hardwood, sustainably sourced where possible. Natural timber variations in character and dimensions should be expected.

All equipment and colour options can be customised to suit your playground requirements.

VAN RYT
INDUSTRIES

sales@vanrytind.com.au
www.vanrytind.com.au