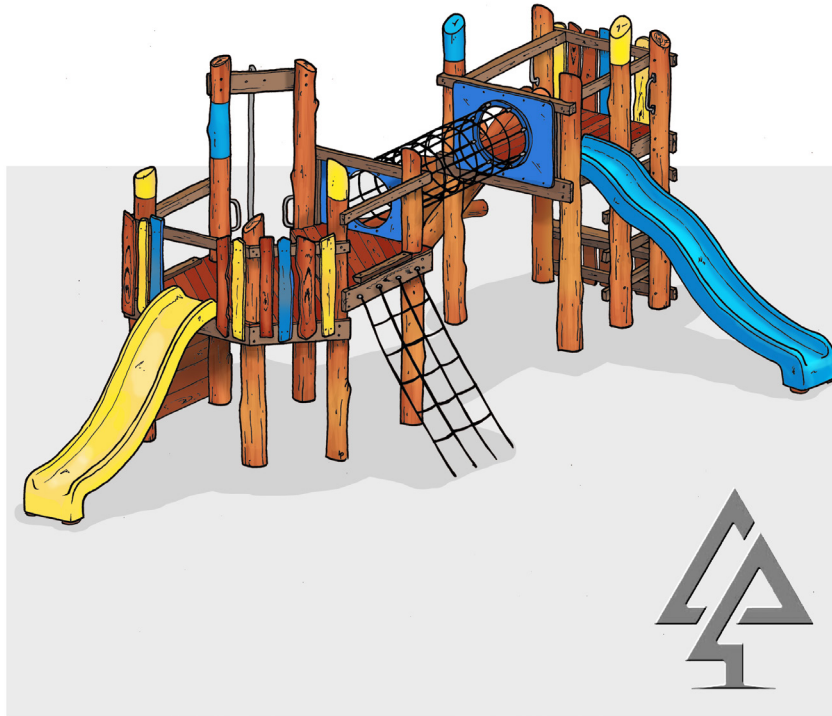




## PRODUCT INFORMATION SHEET



### MOSMAN FORTS

Product code: 167-MOS

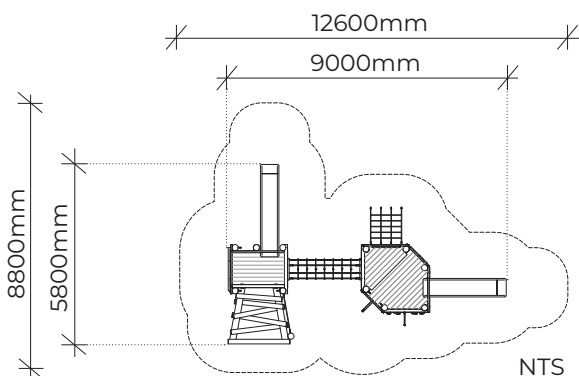
Category: Elevated Platforms (100-Series)

Dimensions: W 5800mm x L 9000mm x H 3600mm

Fall zone: W 8800mm x L 12600mm

FHoF: 2300mm

Features: Combo unit with slides, climbing ropes, log scramble, ladders, climbing walls, fireman's pole, servery, rope tunnel bridge, and more.



Our timber products are primarily crafted from West Australian Jarrah hardwood, sustainably sourced where possible. Natural timber variations in character and dimensions should be expected.

All equipment and colour options can be customised to suit your playground requirements.

**VAN RYT**  
INDUSTRIES

[sales@vanrytind.com.au](mailto:sales@vanrytind.com.au)  
[www.vanrytind.com.au](http://www.vanrytind.com.au)