



PRODUCT INFORMATION SHEET



MOTORHOME

Product code: 524-MTH

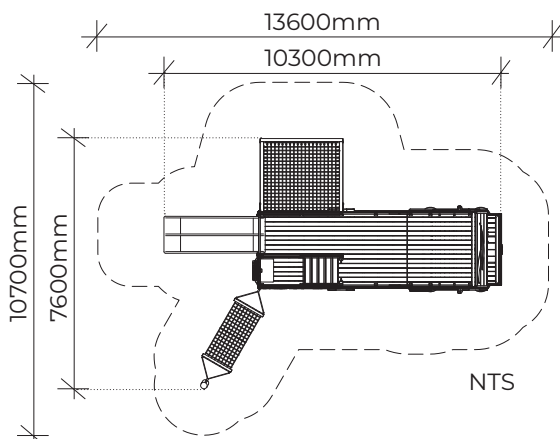
Category: On the Move (500-Series)

Dimensions: W 7600mm x L 10300mm x H 2900mm

Fall zone: W 10700mm x L 13600mm

FHoF: 2900mm

Features: Oversized motorhome loaded with imagination play opportunities, steering wheel, ladders, climbing traverse wall, 1.8m double slide, rope nets & a dunny!



Our timber products are primarily crafted from West Australian Jarrah hardwood, sustainably sourced where possible. Natural timber variations in character and dimensions should be expected.

All equipment and colour options can be customised to suit your playground requirements.

VAN RYT
INDUSTRIES

sales@vanrytind.com.au
www.vanrytind.com.au