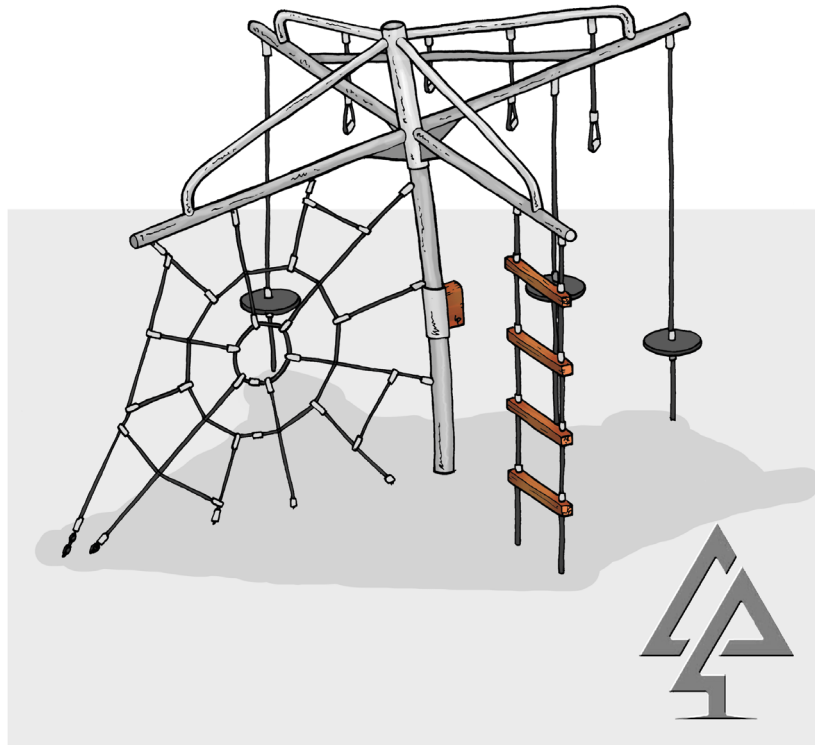




## PRODUCT INFORMATION SHEET



### CLOTHESLINE CLIMBER

Product code: 432-CLC

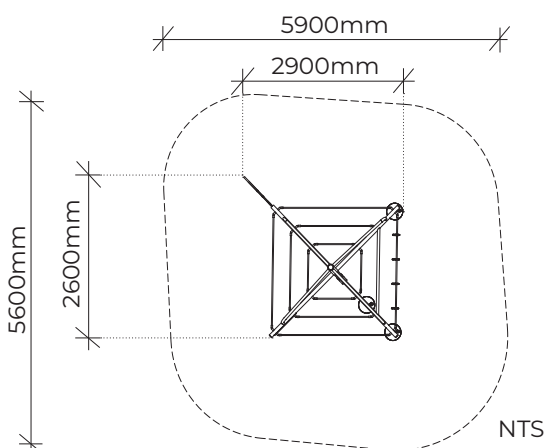
Category: Rope Features (400-Series)

Dimensions: W 2600mm x L 2900mm x H 2300mm

Fall zone: W 5600mm x L 5900mm

FHoF: 2300mm

Features: HDG Steel clotheline frame with monkey bars, ropes & climbers, pommel traverse & spider web net.



Our timber products are primarily crafted from West Australian Jarrah hardwood, sustainably sourced where possible. Natural timber variations in character and dimensions should be expected.

All equipment and colour options can be customised to suit your playground requirements.

**VAN RYT**  
INDUSTRIES

[sales@vanrytind.com.au](mailto:sales@vanrytind.com.au)  
[www.vanrytind.com.au](http://www.vanrytind.com.au)