



## PRODUCT INFORMATION SHEET



### GIDDY-UP FORTS

Product code: 172-GFO

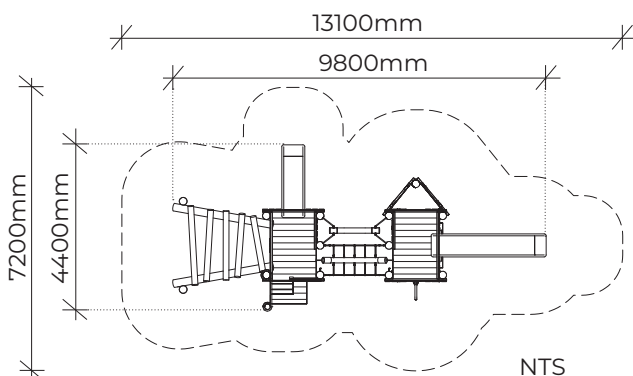
Category: Elevated Platforms (100-Series)

Dimensions: W 4400mm x L 9800mm x H 3600mm

Fall zone: W 7200mm x L 13100mm

FHoF: 1800mm

Features: Combo unit with slides, climbing ropes, log scramble, ladders, climbing walls, fireman's pole, servery, horsey rope V-rope bridge, talking tubes, roof and more.



Our timber products are primarily crafted from West Australian Jarrah hardwood, sustainably sourced where possible. Natural timber variations in character and dimensions should be expected.

All equipment and colour options can be customised to suit your playground requirements.

**VAN RYT**  
INDUSTRIES

[sales@vanrytind.com.au](mailto:sales@vanrytind.com.au)  
[www.vanrytind.com.au](http://www.vanrytind.com.au)