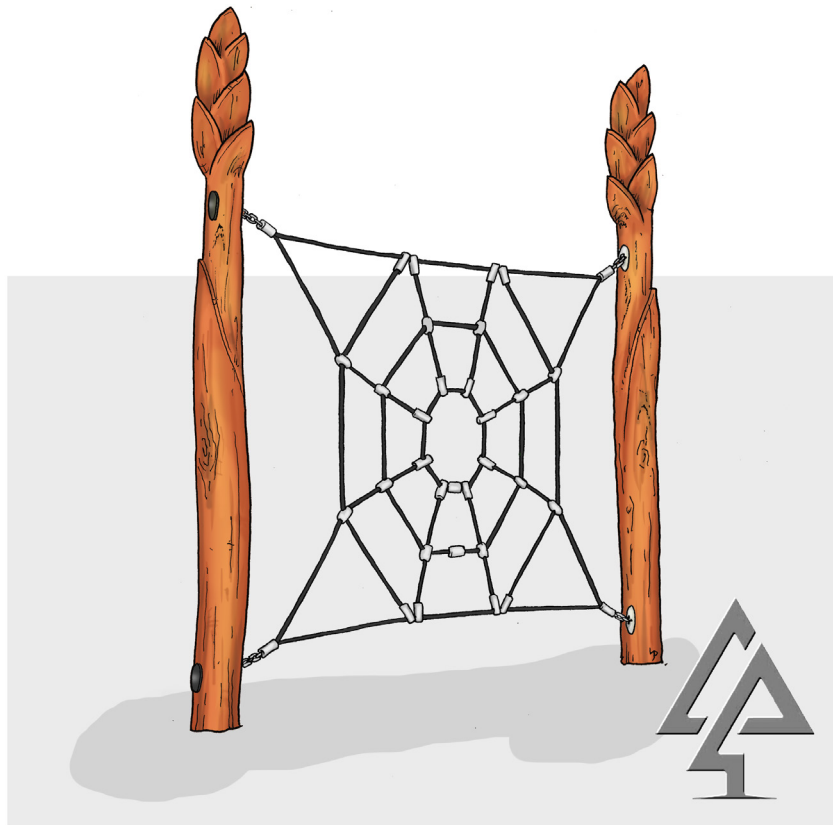




PRODUCT INFORMATION SHEET



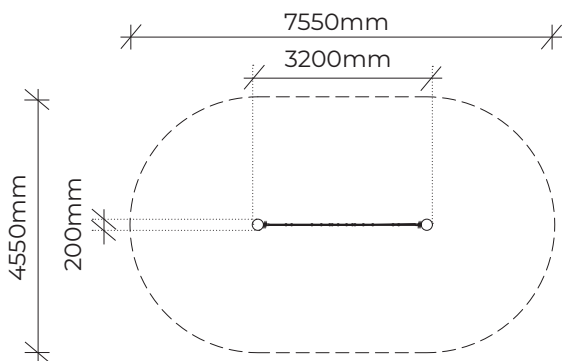
SPIDER WEB NET ON WHEAT POLES

Product code: 429-SWW

Category: Rope Features (400-Series)

Dimensions: L 3200mm x W 200mm
H 3000mm

Fall zone: L 7550mm x W 4550mm



NTS

All timber is West Australian Jarrah hardwood.

Timber characteristics and dimensions naturally vary and can be customised to suit your playground needs.

VAN RYT
INDUSTRIES

0421 825 520

vanrytindustries.com.au