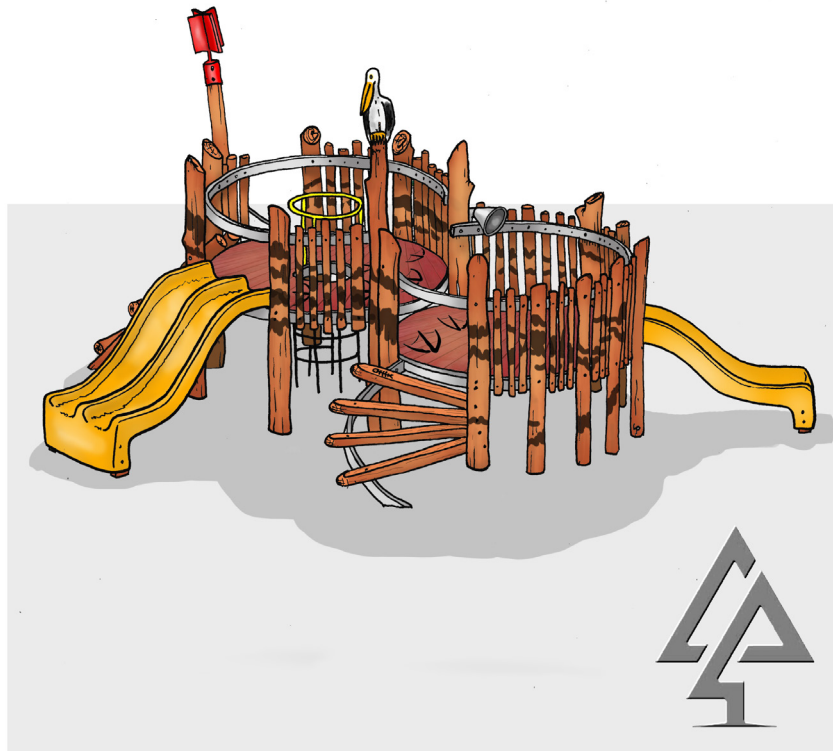




## PRODUCT INFORMATION SHEET



### PELICAN NEST FORT

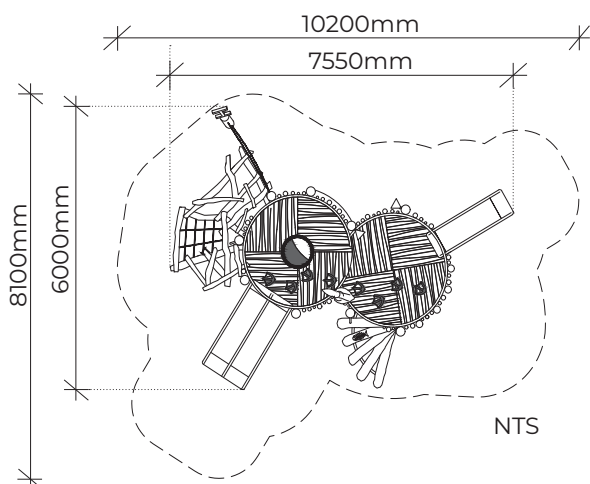
Product code: 158-PNF

Category: Elevated Platforms (100-series)

Dimensions: L 7550mm x W 6000mm x  
Platform H 900/1200mm

Fall zone: L 10200mm x W 8100mm

Features: Split level platforms, with single and double slides, climbing nets, ladders, log scramble, spiral stairs, talking tubes, and lots of pelican inspired features!



The timber is mostly West Australian Jarrah hardwood, and timber characteristics and dimensions may naturally vary.

All of our equipment and colours can be customised to suit your playground requirements.

**VAN RYT**  
INDUSTRIES

0421 825 520

[vanrytindustries.com.au](http://vanrytindustries.com.au)