



## PRODUCT INFORMATION SHEET



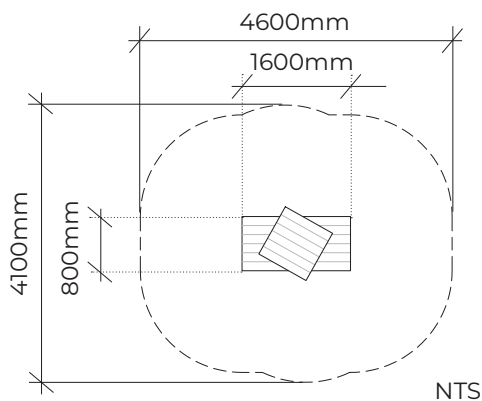
### STACKED CRATES WITH CHALKBOARDS

Product code: 040-SCC

Category: Woodland Trail (000-Series)

Dimensions: L 1600mm x W 800mm  
H 1500mm

Fall zone: 1500mm



All timber is West Australian Jarrah hardwood.

Timber characteristics and dimensions naturally vary and can be customised to suit your playground needs.

**VAN RYT**  
INDUSTRIES

0421 825 520

[vanrytindustries.com.au](http://vanrytindustries.com.au)