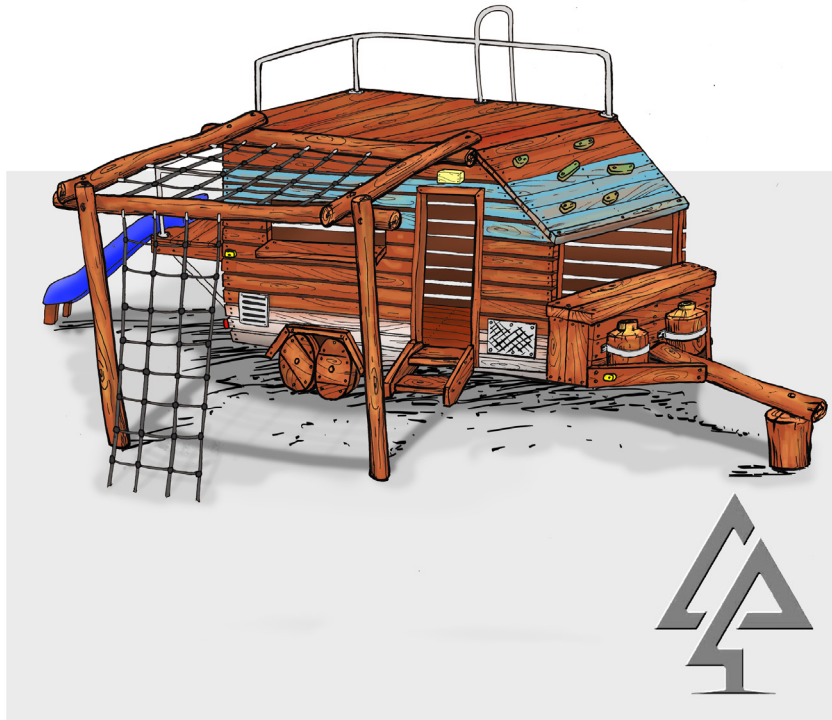




PRODUCT INFORMATION SHEET



CARAVAN

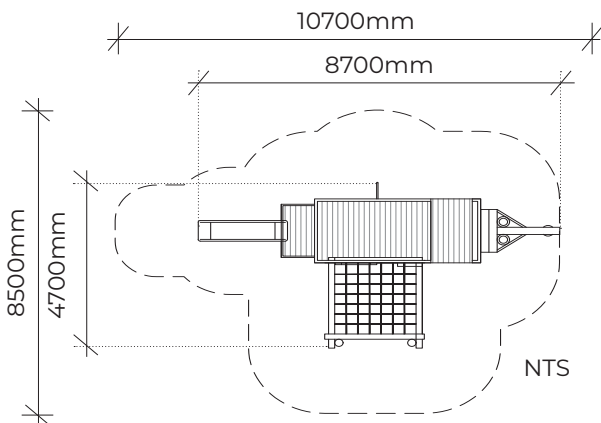
Product code: 510-CVN

Category: On The Move (500-series)

Dimensions: W 4700mm x L 8700mm x 3300H mm

Fall zone: 8500mm x 10700mm

Features: Full sized caravan with 1.2m high slide, annex rope net, gas bottles, climbing wall, fireman's pole & more



The timber is mostly West Australian Jarrah hardwood, and timber characteristics and dimensions may naturally vary.

All of our equipment and colours can be customised to suit your playground requirements.

VAN RYT
INDUSTRIES

0421 825 520

vanrytindustries.com.au