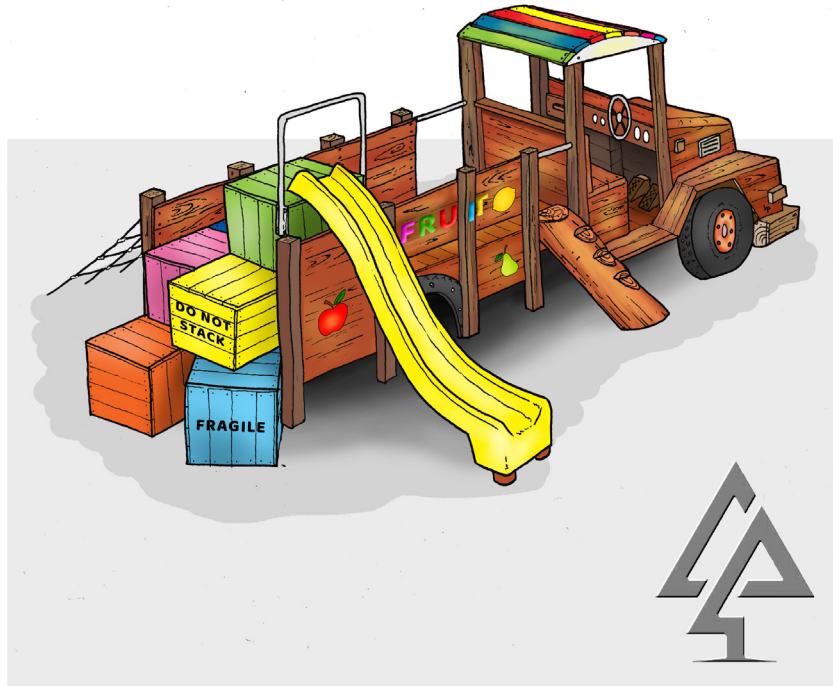




PRODUCT INFORMATION SHEET



LOADED FRUIT TRUCK

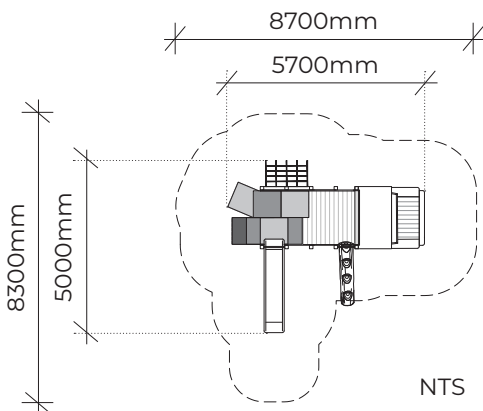
Product code: 509-LFR

Category: On The Move (500-series)

Dimensions: W 5000mm x L 5700mm x H 2000mm

Fall zone: 8300mm x 8700mm

Features: Fruit crates, tunnel below, steering wheel, climbable crates, slide, rope net, log steps & more.



The timber is mostly West Australian Jarrah hardwood, and timber characteristics and dimensions may naturally vary.

All of our equipment and colours can be customised to suit your playground requirements.

VAN RYT
INDUSTRIES

0421 825 520

vanrytindustries.com.au