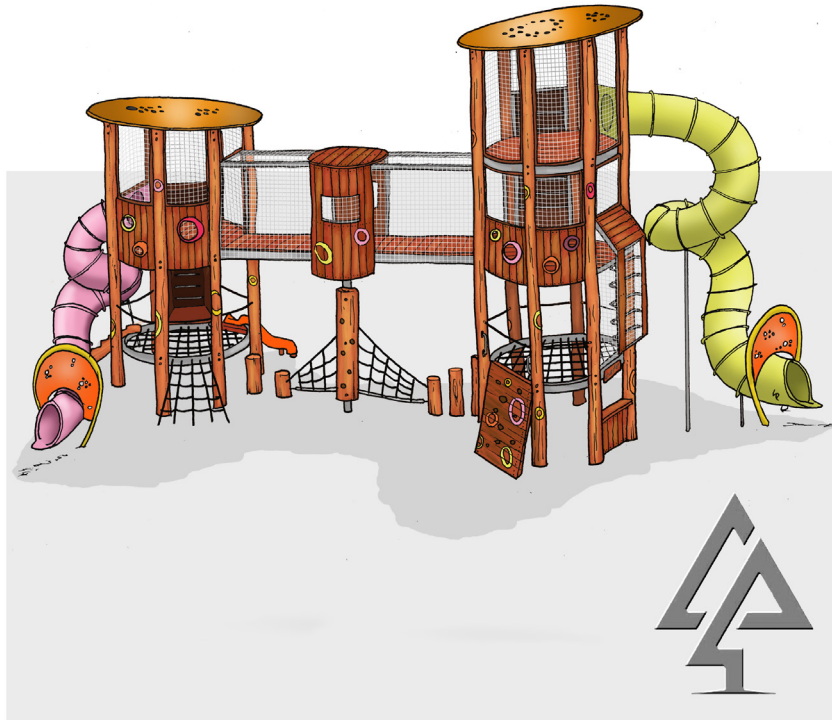




PRODUCT INFORMATION SHEET



MANIANA MANIA TOWERS

Product code: 148-MAN

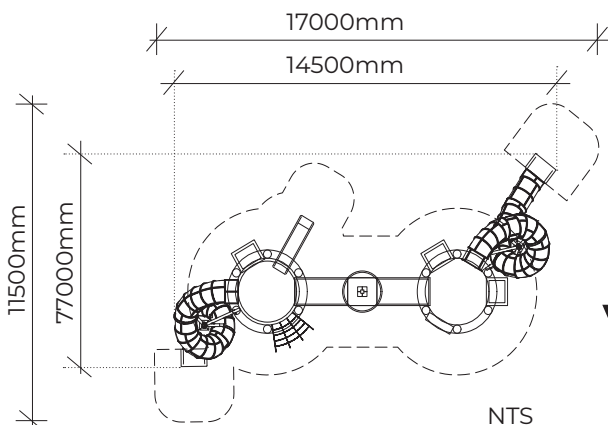
Category: Elevated Platforms (100-series)

Dimensions: W 7600mm x L 16100mm

Fall zone: W 10700mm x L 16700mm

FHoF: 1700mm

Features: 2No. tube slides, climbing nets, rope platform, tunnel ladder, bridges, climbing wall, log steps, server counter, rope climbers, standard slide and more.



Our timber products are primarily crafted from West Australian Jarrah hardwood, sustainably sourced where possible. Natural timber variations in character and dimensions should be expected.

All equipment and colour options can be customised to suit your playground requirements.

VAN RYT
INDUSTRIES

sales@vanrytind.com.au
www.vanrytind.com.au