



## PRODUCT INFORMATION SHEET



### BURRENDAH FORT

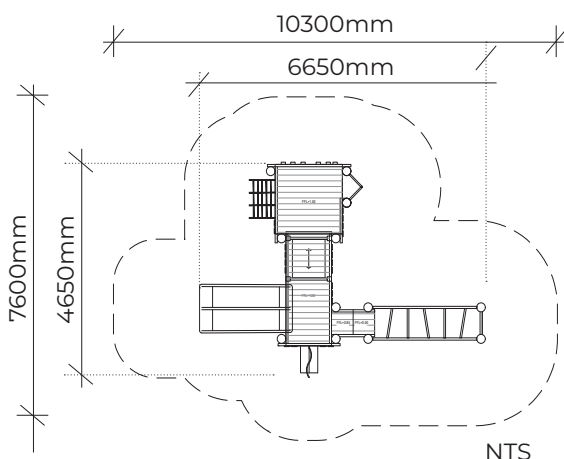
Product code: 129-BRD

Category: Elevated Platforms (100-series)

Dimensions: W 4650mm x L 6650mm  
Platform H 1200/1500mm

Fall zone: 7600mm x 10300mm

Features: Rope net, 1.2m double slide, fireman's pole, tunnel, windows, climbing wall, inclined climbing wall with rope pull, monkey bars and more.



The timber is mostly West Australian Jarrah hardwood, and timber characteristics and dimensions may naturally vary.

All of our equipment and colours can be customised to suit your playground requirements.

**VAN RYT**  
INDUSTRIES

0421 825 520

[vanrytindustries.com.au](http://vanrytindustries.com.au)