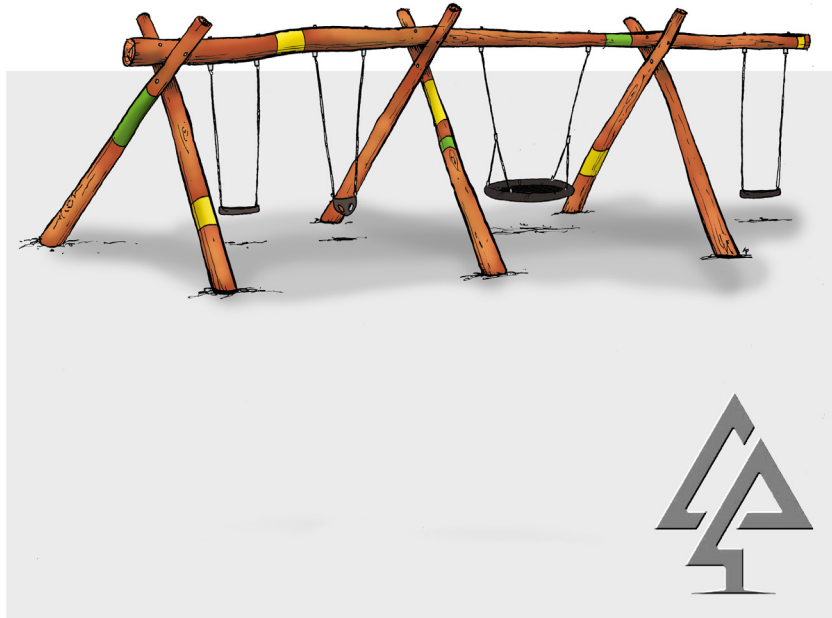




## PRODUCT INFORMATION SHEET



### TRIPLE A-FRAME with BASKET and TRIPLE SWINGS

Product code: 206-TAS

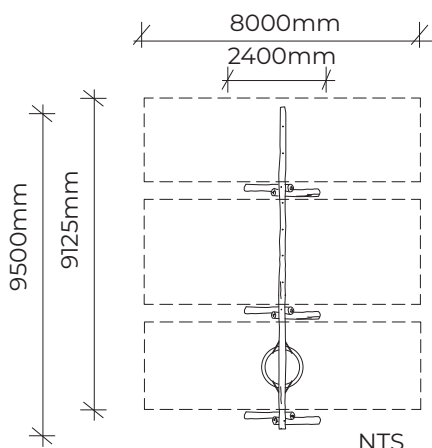
Category: Swing Sets (200-Series)

Dimensions: W 9500mm x L 2400mm x H 2800mm

Fall zone: W 9125mm x L 8000mm

FHoF: 1500mm

Features: Basket, toddler & double standard swings



Our timber products are primarily crafted from West Australian Jarrah hardwood, sustainably sourced where possible. Natural timber variations in character and dimensions should be expected.

All equipment and colour options can be customised to suit your playground requirements.

**VAN RYT**  
INDUSTRIES

[sales@vanrytind.com.au](mailto:sales@vanrytind.com.au)  
[www.vanrytind.com.au](http://www.vanrytind.com.au)