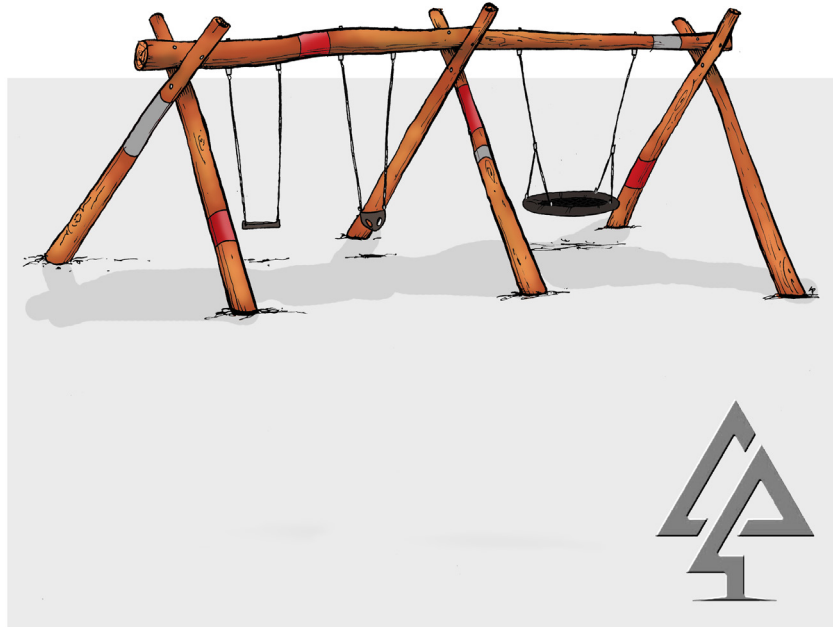




## PRODUCT INFORMATION SHEET



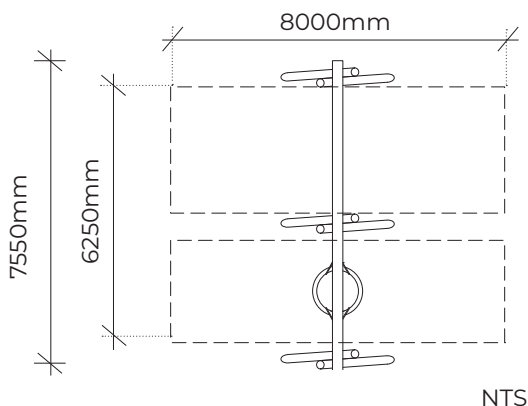
### DOUBLE A-FRAME with BASKET and DOUBLE SWINGS

Product code: 205-DAS

Category: Swing Sets (200-Series)

Dimensions: L 8000mm x W 7550mm x H 3250mm

Features: Basket, toddler & standard swings



All timber is West Australian Jarrah hardwood.

Timber characteristics and dimensions naturally vary and can be customised to suit your playground needs.

**VAN RYT**  
INDUSTRIES

0421 825 520

[vanrytindustries.com.au](http://vanrytindustries.com.au)