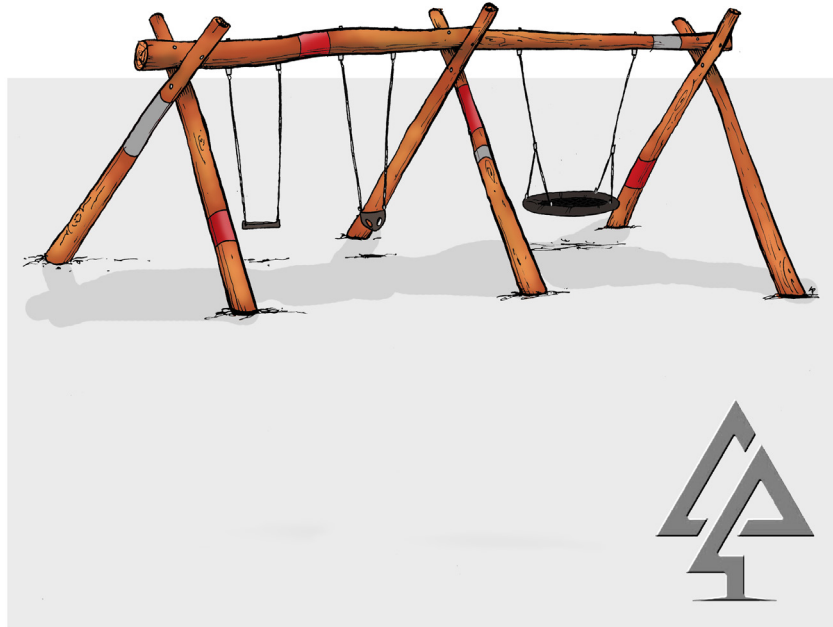




## PRODUCT INFORMATION SHEET



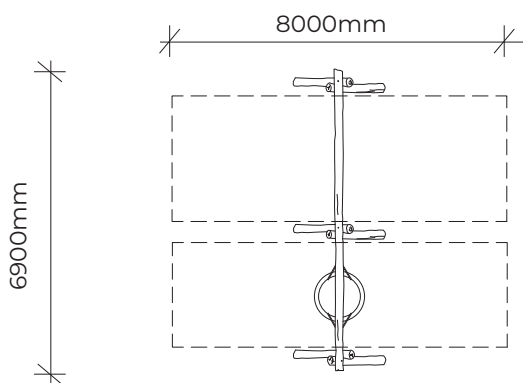
### **DOUBLE A-FRAME with BASKET and DOUBLE SWINGS**

**Product code:** 205-DAS

**Category:** Swing Sets (200-Series)

**Dimensions:** L 6900mm x W 8000mm x H 3000mm

**Features:** Basket, toddler & standard swings



NTS

All timber is West Australian Jarrah hardwood.

Timber characteristics and dimensions naturally vary and can be customised to suit your playground needs.

**VAN RYT**  
INDUSTRIES

0421 825 520

[vanrytindustries.com.au](http://vanrytindustries.com.au)