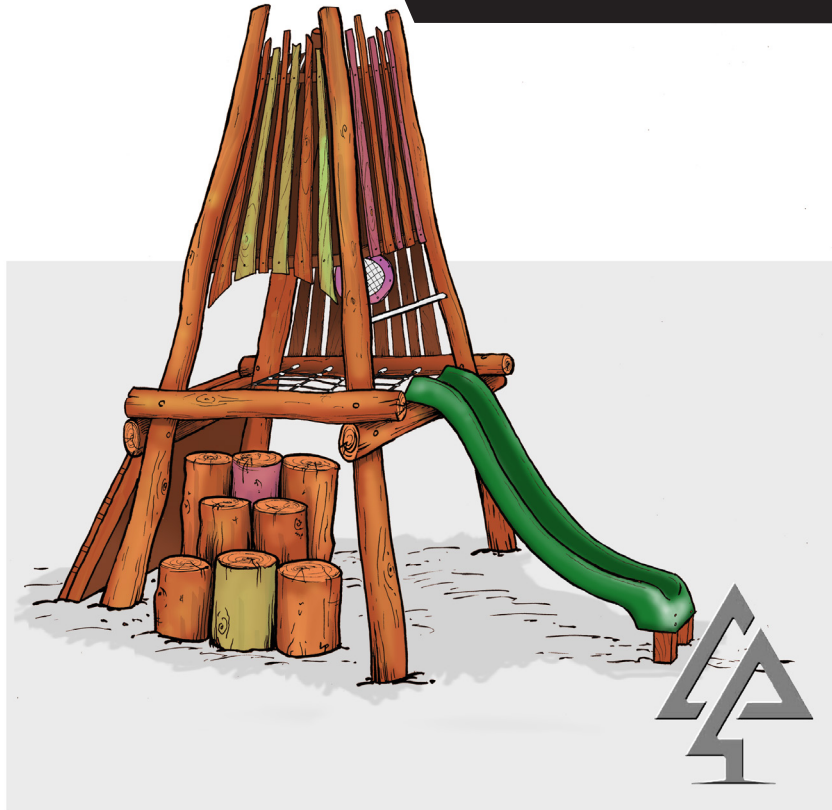




## PRODUCT INFORMATION SHEET



### SUNNINGDALE TOWER

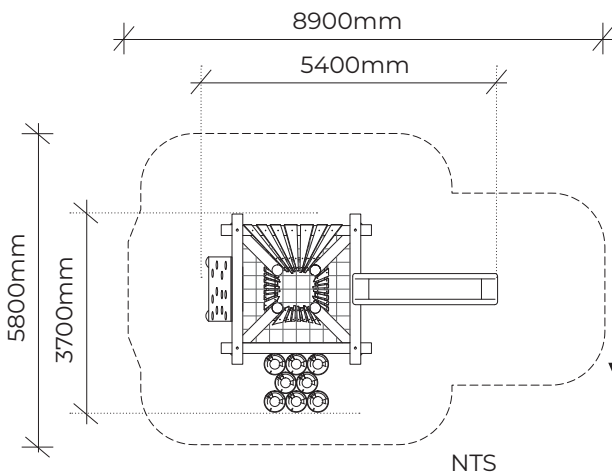
Product code: 142-SUT

Category: Elevated Platforms (100-series)

Dimensions: W 3700mm x L 5400mm  
H 4500mm (Platform 1.5m H)

Fall zone: 5800 x 8900mm

Features: Stepping stump stairs, rope net, climbing wall, 1.5m H slide, window



All timber is West Australian Jarrah hardwood.

Timber characteristics and dimensions naturally vary and can be customised to suit your playground needs.

**VAN RYT**  
INDUSTRIES

0421 825 520

[vanrytindustries.com.au](http://vanrytindustries.com.au)