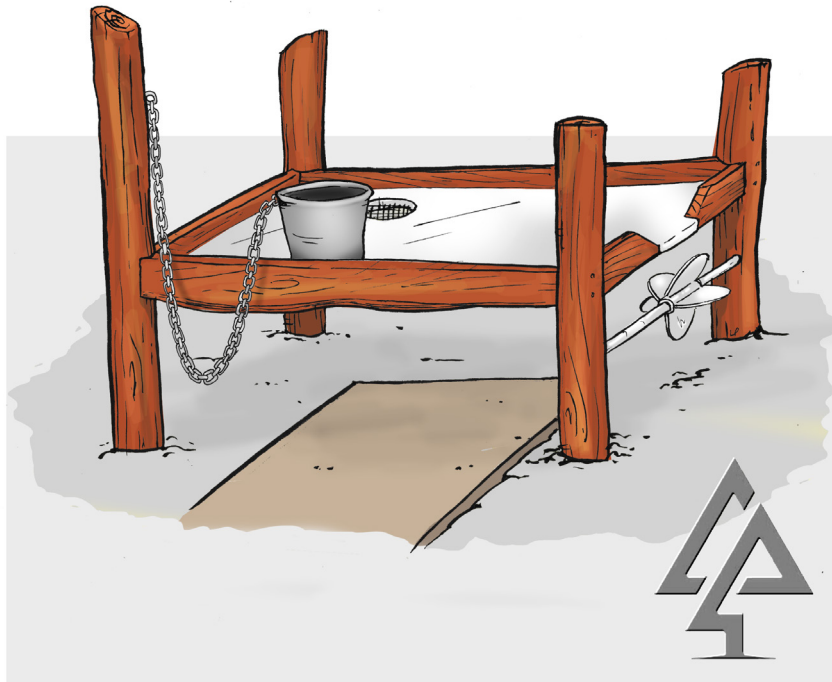




PRODUCT INFORMATION SHEET



SAND PLAY TABLE

Product code: 611-STA

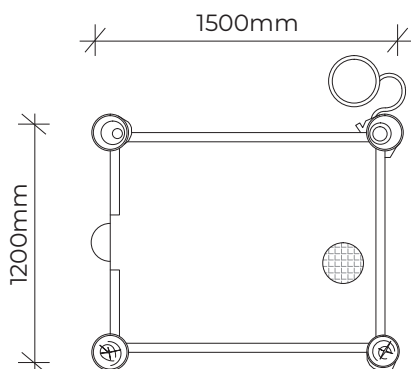
Category: Water and Sand Play Features (600-Series)

Dimensions: W 1200mm x 1500mm

H 700mm clearance

Fall zone: No fall zone required

Features: Wheel chair accessible stainless steel table, bucket and chain, sieve, sand mill wheel.



NTS

All timber is West Australian Jarrah hardwood.

Timber characteristics and dimensions naturally vary and can be customised to suit your playground needs.

VAN RYT
INDUSTRIES

0421 825 520

vanrytindustries.com.au