



PRODUCT INFORMATION SHEET



TAKARI CUBBY

Product code: 102-TAK

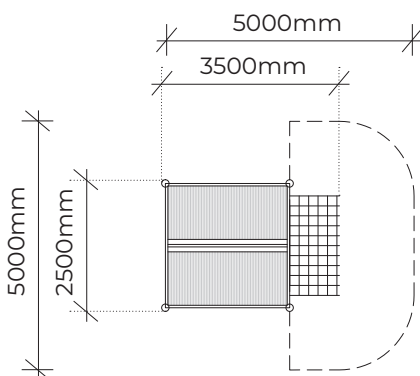
Category: Elevated Platforms (100-series)

Dimensions: W 2500mm x L 3500mm
Platform H 1200m

Fall zone: W 5000mm x L 5000mm

FHoF: 1200mm

Features: Roofed structure with rope net,
built into embankment



NTS

Our timber products are primarily crafted from West Australian Jarrah hardwood, sustainably sourced where possible. Natural timber variations in character and dimensions should be expected.

All equipment and colour options can be customised to suit your playground requirements.

VAN RYT
INDUSTRIES

sales@vanrytind.com.au
www.vanrytind.com.au